



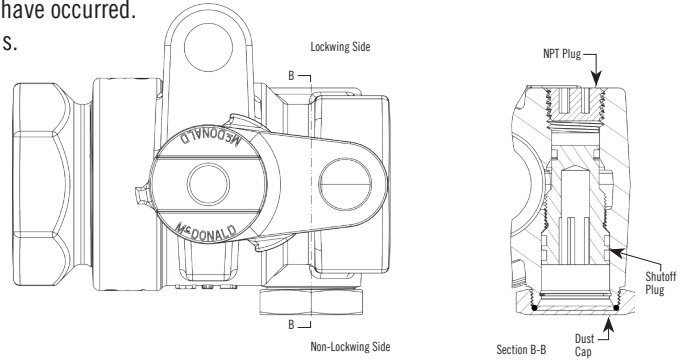
Natural Gas Inline Bypass Ball Valve Procedure

NOTE: Failure to follow this procedure may result in interrupted gas service and loss of pilot lights.
Ensure all users have proper training with bypass valves before operating.

NOTE: It is recommended to monitor downstream pressure before, during, and after bypass operation to ensure gas flow is continuous. In the event the pressure drops below your stated system requirements, an improper sequence may have occurred. The valves should be returned to normal operation immediately to restore flow of gas. Once pressure is restored, the bypass procedure can then be started again. If the pressure drops below your stated system requirements at any time, pilots need to be checked and possibly relit.

- Apply thread sealant to NPT threads where applicable. Do not use PTFE tape.
- Follow all applicable codes and procedures.

Shutoff plug should operate smoothly, **STOP OPENING IMMEDIATELY WHEN RESISTANCE IS FELT.**



STEP 1	<p>Remove the dust cap on the non-locking side of the valve inlet</p>	STEP 2	<p>Insert the bypass key and cap into the non-locking side of the bypass port. Verify the shutoff plug is threaded all the way in. If the shutoff plug is loose, thread in complete before proceeding.</p>
STEP 3	<p>Remove the NPT plug on the locking side of the valve inlet</p>	STEP 4	<p>Thread the high-pressure side of the regulating hose kit into the locking side of the inline bypass ball valve inlet and loosely thread the low-pressure side into the outlet valve to prepare for purge.</p>
STEP 5	<p>Reinsert the bypass key and thread cap onto the non-locking side of the bypass port, DO NOT use a wrench for the cap. Turn the key counter-clockwise until resistance is felt, approximately 7-9 turns. Stop opening immediately when resistance is felt. This will allow gas to flow into the bypass hose beginning purge. Leave bypass key and cap attached to valve.</p>	STEP 6	<p>Tighten the low-pressure side of the regulating hose kit fully into the outlet valve once the hose kit is purged. Leave bypass key and cap attached to valve.</p>
STEP 7	<p>Fully close the outlet valve. Leave bypass key and cap attached to valve.</p>	STEP 8	<p>Fully close the inline bypass ball valve. Leave bypass key and cap attached to valve.</p>

Over →



Natural Gas Inline Bypass Ball Valve Procedure

STEP 9	<p>The meter and regulator are now isolated and ready for change out and/or maintenance. Leave bypass key and cap attached to valve.</p>	<p>When ready to transition back to normal flow mode, loosen the outlet meter nut or open the purge plug to allow for purging of the meter per your company procedures. Leave bypass key and cap attached to valve.</p>
STEP 11	<p>Fully open the inline bypass ball valve. Leave bypass key and cap attached to valve.</p>	<p>Once the meter has been purged per your company procedures, tighten the outlet meter nut or close the purge plug. Leave bypass key and cap attached to valve.</p>
STEP 13	<p>Fully open the outlet valve. The system is now in normal flow mode. Leave bypass key and cap attached to valve.</p>	<p>With the key in its current position, turn the key clockwise to thread the shutoff plug into the bypass port until snug. This will require approximately 7-9 turns. Tightening the plug may require some extra force to overcome the pressure of the gas but DO NOT USE A WRENCH. You may now remove the bypass key and cap.</p>
STEP 15	<p>Remove the regulating hose kit from the inline bypass ball valve and outlet valve. Reinsert the NPT plug, no pipe dope is required for this.</p>	<p>Hand thread the dust cap on the non-lockwing side of the inline bypass ball valve inlet and the bypass process is complete. Follow company procedures and codes to test for a closed system.</p>

Inline bypass valves are operated by a proprietary pentagon key supplied by A.Y. McDonald.